

N/F MILLBURY ASSOCIATES, LLC
48 PROVIDENCE ST.

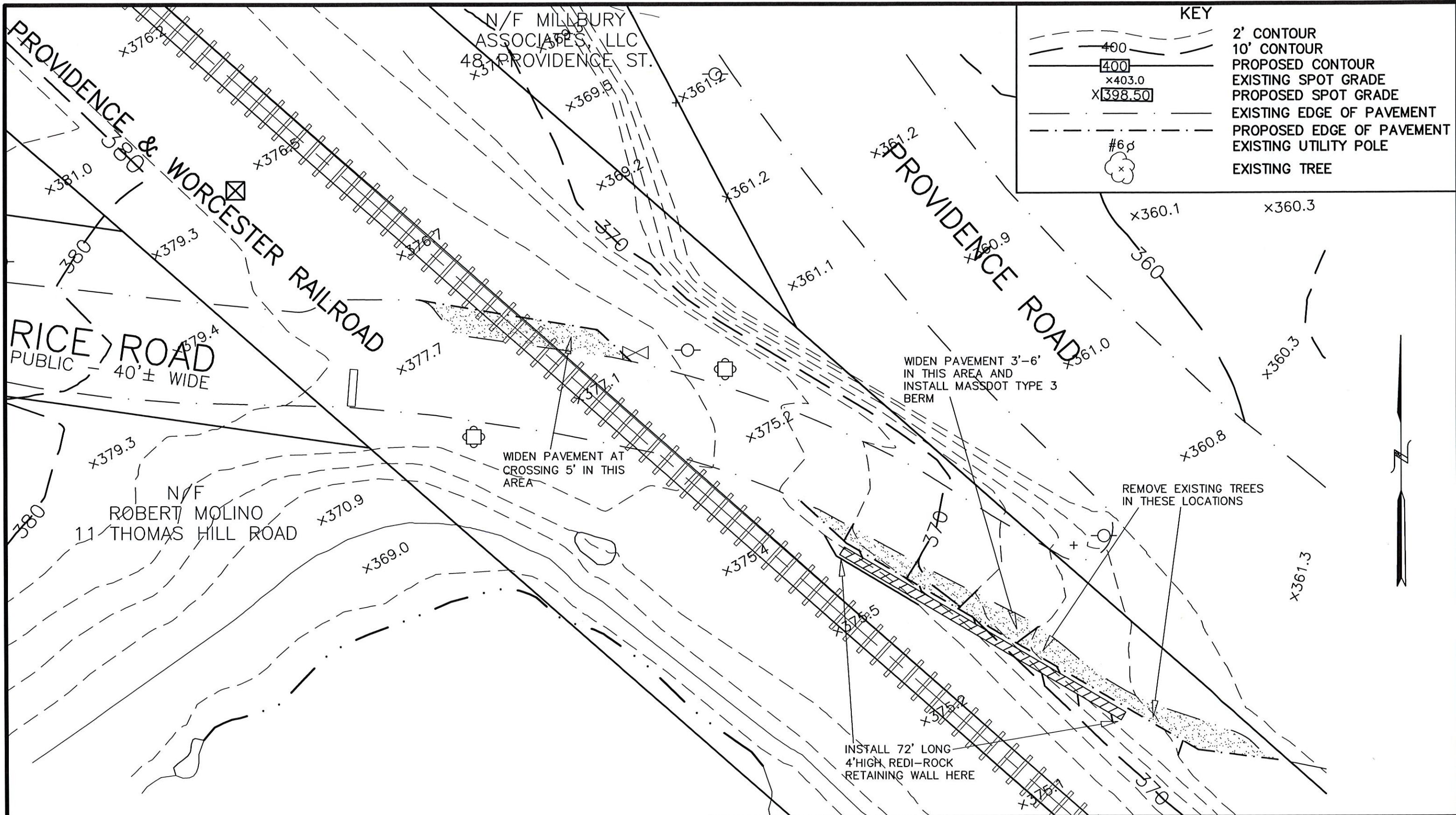
KEY

- - - 2' CONTOUR
- - - 10' CONTOUR
- 400 — PROPOSED CONTOUR
- x403.0 EXISTING SPOT GRADE
- x398.50 PROPOSED SPOT GRADE
- - - - - EXISTING EDGE OF PAVEMENT
- - - - - PROPOSED EDGE OF PAVEMENT
- - - - - EXISTING UTILITY POLE
- - - - - EXISTING TREE

NOTE:

EXISTING TOPOGRAPHY AND PROPERTY BOUNDARIES ARE THE WORK PRODUCT OF THOMPSON-LISTON ASSOCIATES, INC.

5/28/2021	AZIMUTH LAND DESIGN, LLC	SITE PLAN OF PROPOSED IMPROVEMENTS TO RICE ROAD AT RAILROAD CROSSING IN MILLBURY, MA SHEET 1 OF 3
SCALE: 1" = 30'	325 Donald Lynch Boulevard, Suite 100 Marlborough, Massachusetts 01572	



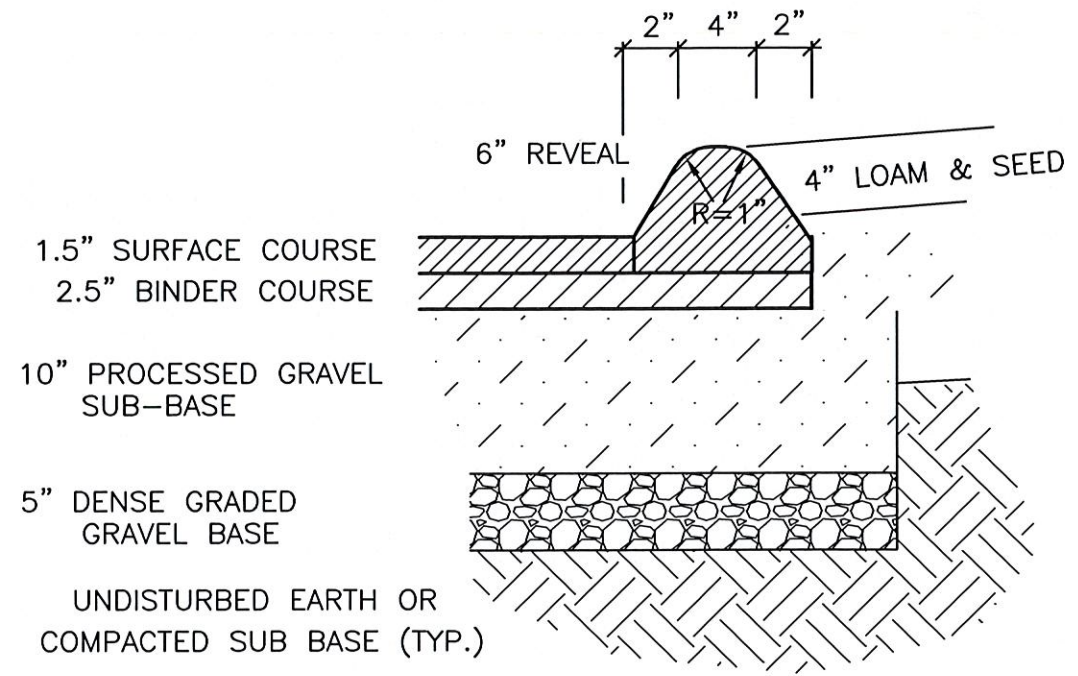
KEY

- 2' CONTOUR
- 10' CONTOUR
- PROPOSED CONTOUR
- EXISTING SPOT GRADE
- PROPOSED SPOT GRADE
- EXISTING EDGE OF PAVEMENT
- PROPOSED EDGE OF PAVEMENT
- EXISTING UTILITY POLE
- EXISTING TREE

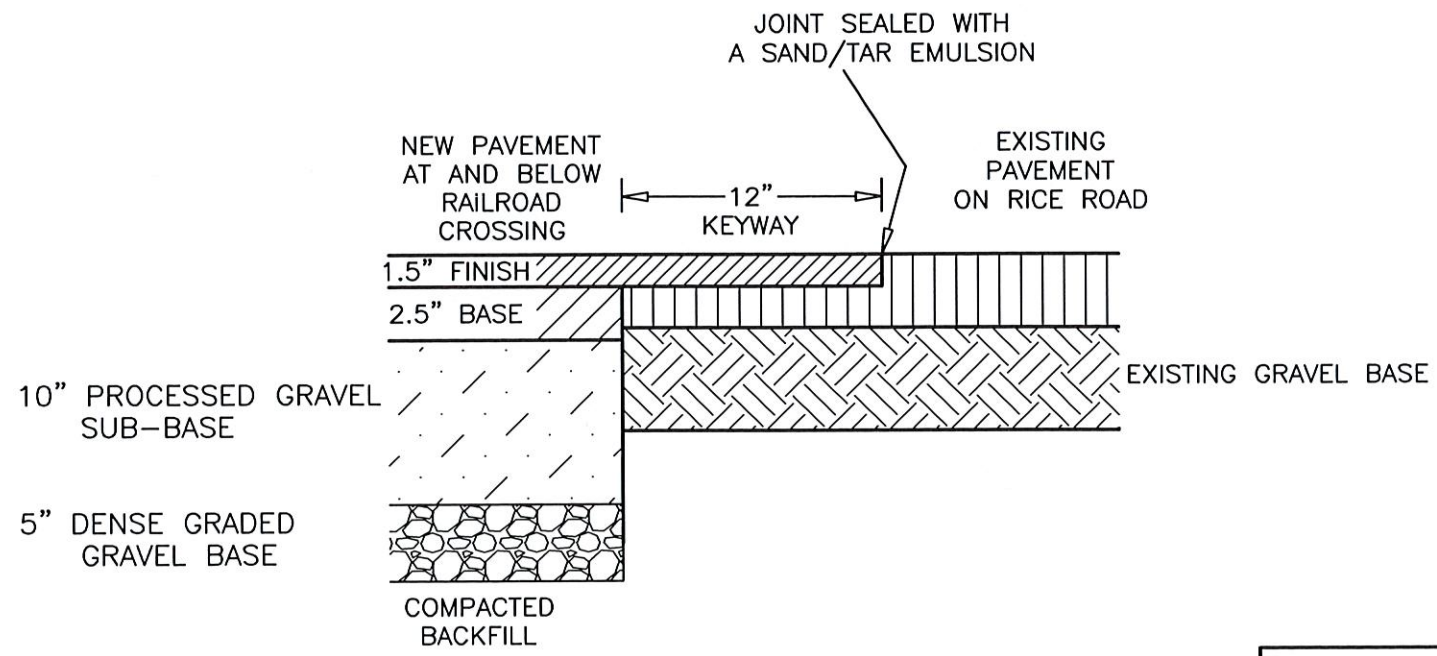
5/28/2021	AZIMUTH LAND DESIGN, LLC 325 Donald Lynch Boulevard, Suite 100 Marlborough, Massachusetts 01572
SCALE: 1" = 20'	

SITE PLAN OF PROPOSED
IMPROVEMENTS TO RICE ROAD AT
RAILROAD CROSSING IN MILLBURY, MA

SHEET 2 OF 3

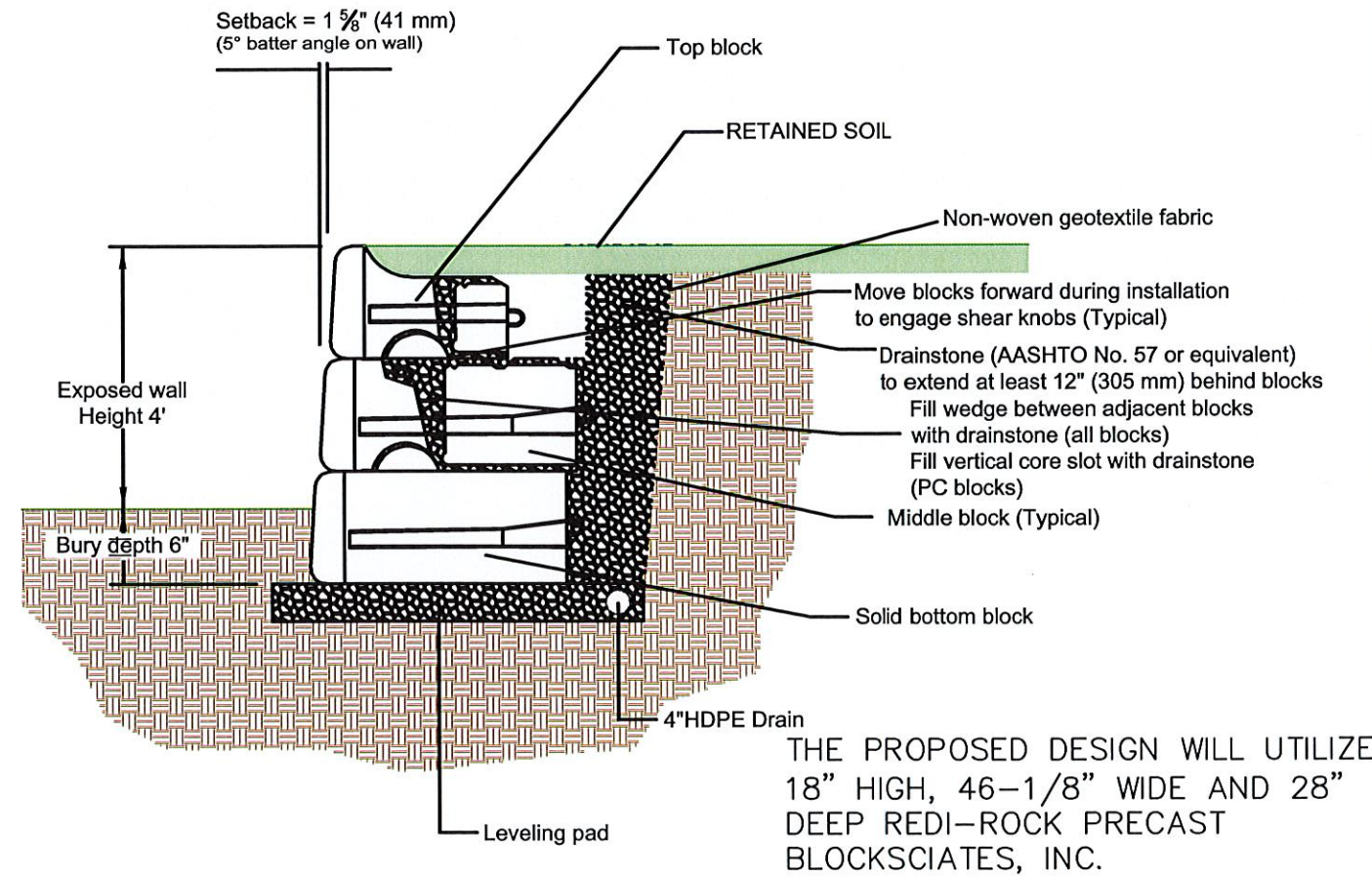


MASS. DOT TYPE 3 BERM FOR USE ON SOUTH SIDE OF RICE ROAD



PAVEMENT BLEND DETAIL (NOT TO SCALE)

Typical Gravity Wall Section



REDI-ROCK GRAVITY WALL DETAIL (NOT TO SCALE)

THE PROPOSED DESIGN WILL UTILIZE 18" HIGH, 46-1/8" WIDE AND 28" DEEP REDI-ROCK PRECAST BLOCKSCIATES, INC.

5/28/2021	AZIMUTH LAND DESIGN, LLC	SITE PLAN OF PROPOSED IMPROVEMENTS TO RICE ROAD AT RAILROAD CROSSING IN MILLBURY, MA
SCALE: AS NOTED	325 Donald Lynch Boulevard, Suite 100 Marlborough, Massachusetts 01572	
		SHEET 1 OF 3